

Data



## SIREMOBIL Compact L

Mobile X-ray Image Intensifier System

# SIREMOBIL Compact L

## Mobile X-ray Image Intensifier System



SIREMOBIL Compact L stands for clinical versatility, excellent image quality with low dose, optimized workflow and cost efficiency.

This compact, mobile C-arm system conforms with ergonomic needs for optimized clinical workflow, covering the entire spectrum of X-ray based applications in the OR.

The powerful high-frequency generator allows for fluoroscopy times of over 50 minutes with outstanding image quality and minimum dose.



# SIREMOBIL Compact L

## Technical Data

### C-arm

Orbital movement	130° (– 40° to + 90°)
Angulation	± 190°
Horizontal movement	20 cm (7.9")
Immersion depth	73 cm (28.7")
Swivel range	± 12.5°
Vertical travel	45 cm (17.7") motorized
Source-I.I. distance	100 cm (39.4")
Free space	78 cm (30.7")

### X-ray generator / tube

Converter control frequency	15 kHz to 30 kHz
kV range	40 kV to 110 kV
Fluoroscopy	0.2 mA to 8.9 mA
Digital Radiography	0.2 mA to 12.2 mA
Cassette exposures	max. 20 mA

### Single tank with stationary anode

Focal spot nominal value (IEC 336)	0.6
Nominal voltage (IEC 613)	110 kV
Optical anode angle (IEC 788)	9°
Inherent filtration	≥ 3 mm Al equivalence

### Collimator system

Iris collimator	for concentric collimation
Semitransparent slot diaphragm	for symmetric, radiation-free collimation, with unlimited rotation

\* Option

### X-ray image intensifier

Metal-enamel technology (23 cm, 9" I.I.), Metal-ceramic technology (17 cm, 7" I.I.) with Mu-metal shielding

Precision electron optics with minimal image distortion and consistent high resolution across the entire image field

Cesium-iodide input screen for minimum quantum noise and excellent resolution

Anti-glare output screen with scattered light trap for high contrast dynamics and prevention of scattered light effects

High-transparency input window

### SIRECON 23-2 HDR-C

Nominal diameter 23 cm (9")

Zoom format 15 cm (6")

Grid PB 8/40,  $f_0$  90

### SIRECON 17-2 HDR-C

Nominal diameter 17 cm (7")

Zoom format 10 cm (4")

Grid PB 8/40,  $f_0$  90

### Cassette holder\*

Format 24 cm x 30 cm

Grid Pb r17 N70,  $f_0$  85

### TV system

VIDEOMED® DC with CCD sensor

TV standard 625 lines at 50 Hz  
525 lines at 60 Hz

Image rotation Continuous  $\pm 220^\circ$

# SIREMOBIL Compact L

## Technical Data

### Operating modes <sup>1)</sup>

Fluoroscopy with Last Image Hold  
Pulsed Fluoroscopy with Last Image Hold  
Digital Radiography  
Digital Subtraction Angiography  
Roadmap  
Selection from 5 application-specific fluoroscopy and radiography curves for the individual operating modes

### Image processing <sup>1)</sup>

Recursive filtration, summation or motion-dependent noise reduction  
Spatial frequency filtration for edge-enhanced image display, contrast enhancement  
Digital image rotation with subsequent processing  
Positive/negative image inversion  
Left/right and top/bottom image reversal  
Zoom, Roam  
Subtraction, Roadmap, Pixelshift, Remask, Landmark  
Up to 6 lookup tables for contrast enhancement  
Three-stage edge enhancement  
Electronic shutters, horizontal and vertical

### Data transfer and documentation <sup>1)</sup>

DICOM\* DICOM Storage Send  
DICOM interface for image data communication in a clinical network (PACS) based on the DICOM 3.0 standard  
Sending, receiving and storing of images  
DICOM Print  
For printing within the network, on a DICOM-compatible camera or DICOM-compatible printer  
DICOM Worklist Management  
For importing patient/examination data from an independent HIS/RIS system, including HIS/RIS queries via special search criteria

### Digital image storage

Storage capacity <sup>2)</sup>	3 or 200 images
Memory extension*	2,000 images
Memory extension* / DSA*	5,000 images
CD writer*	CD drive for automatic, digital image storage on a CD-ROM for offline data exchange in DICOM 3 format

\* Option

<sup>1)</sup> Depends on image memory

<sup>2)</sup> Depends on configuration

## Display trolley / Displays

Suitable for one 15" b/w display or two 15", 17", 18" b/w displays

### 15" TFT b/w display

Screen size	15" (38 cm)
Image matrix	1024 x 768
Maximum brightness	250 cd/m <sup>2</sup>

### 17" TFT b/w display

Screen size	17" (43 cm)
Image matrix	1280 x 1024
Maximum brightness	250 cd/m <sup>2</sup>

### 18" TFT b/w display

High-contrast display with high luminance

Screen size	18" (46 cm)
Image matrix	1280 x 1024
Maximum brightness	600 cd/m <sup>2</sup>

## Options

Multiformat camera

Printer

Laser camera connection

System-integrated laser targeting device on tube side

Detachable laser aimer on image intensifier side

Sterile cover for C-arm, X-ray tube and image intensifier

Integrated dose measurement chamber

Memory extension <sup>1)</sup>

DICOM <sup>1)</sup>

DSA <sup>1)</sup>

CD writer <sup>1)</sup>

# SIREMOBIL Compact L

## Technical Data

### Operating data

Power requirements	100 V, 110 V, 120 V, 127 V, 200 V, 230 V, 240 V; ( $\pm 10\%$ ), 50/60 Hz ( $\pm 1$ Hz)
--------------------	---

### Environmental conditions (operation)

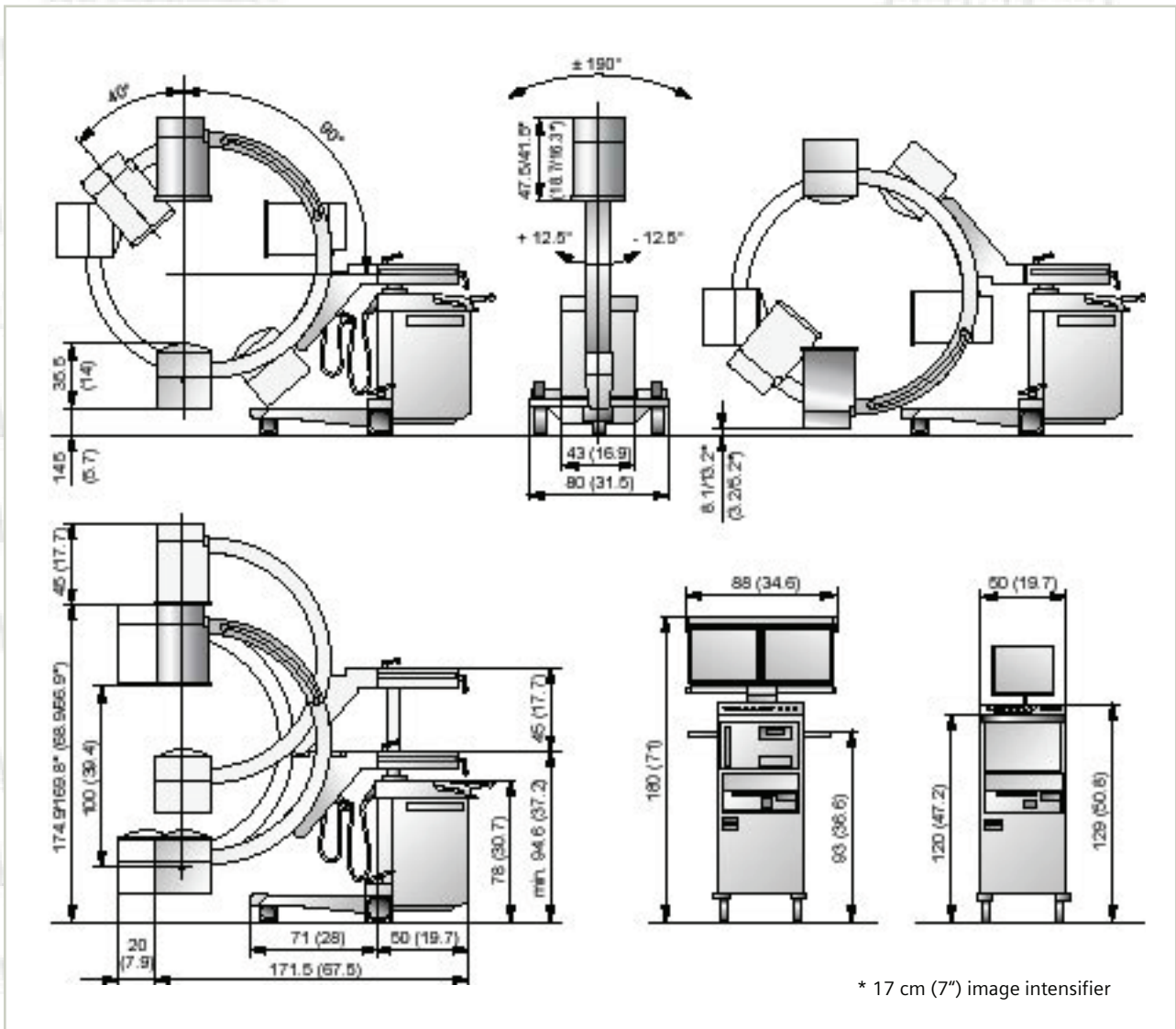
Temperature range	+ 15°C to + 35°C
Relative humidity	15% to 75%, non-condensing
Barometric pressure	700 hPa to 1060 hPa

### Weight

C-arm chassis	257 kg (565 lbs)
Display trolley with one display	112 kg (245 lbs)
Display trolley with two displays	138 kg (305 lbs)



Dimensions in cm (inches)





The information in this document contains general descriptions of the technical options available and may not always apply in individual cases.

The required features should therefore be specified in each individual case at completion of contract.

Siemens reserves the right to modify the design and specifications contained herein without prior notice. Please contact your local Siemens sales representative for the most current information.

Original images always lose a certain amount of detail when reproduced.

In the interest of complying with legal requirements concerning the environmental compatibility of our products (protection of natural resources, waste conservation), we recycle certain components. Using the same extensive quality assurance measures as for new components, we guarantee the quality of these recycled components.

Siemens AG  
Wittelsbacher Platz 2  
D-80333 Muenchen  
Germany

**Headquarters**  
Siemens AG, Medical Solutions  
Henkestr. 127, D-91052 Erlangen  
Germany  
Telephone ++49 9131 84-0  
[www.siemens.com/medical](http://www.siemens.com/medical)

#### Contact addresses:

**In the USA**  
Siemens Medical Solutions USA, Inc.  
51 Valley Stream Parkway  
Malvern, PA 19355  
Telephone: +01 610 448 4500  
Telefax: +01 610 448 1620

**In Germany**  
Siemens AG, Medical Solutions  
Special Systems  
Allee am Röthelheimpark 2  
D-91052 Erlangen  
Germany  
Telephone ++49 9131 84-0  
[siemens.com/medical](http://siemens.com/medical)

Siemens **Medical**  
**Solutions** that help